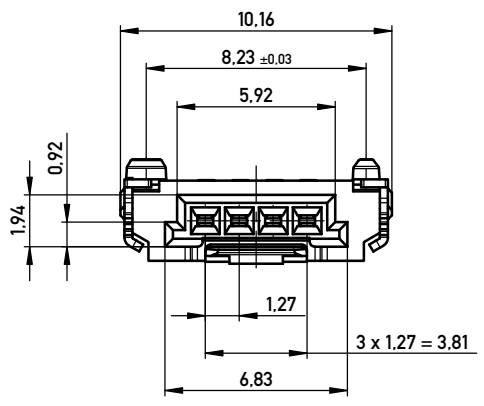
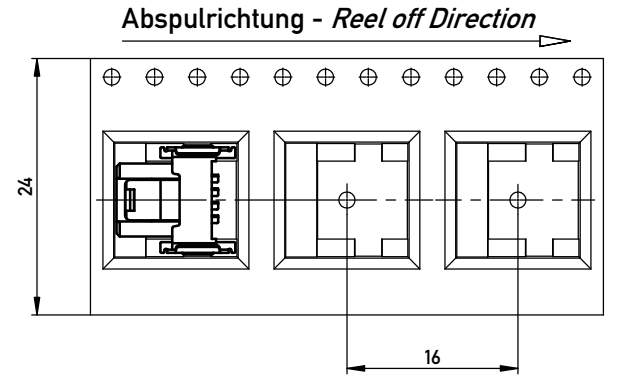
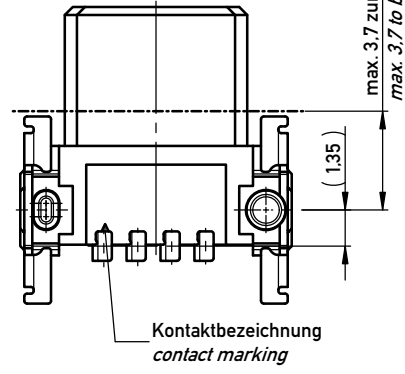
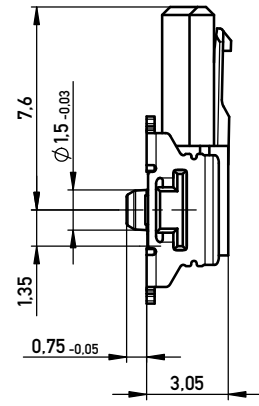
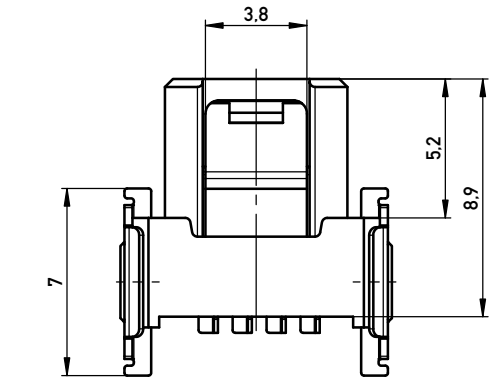
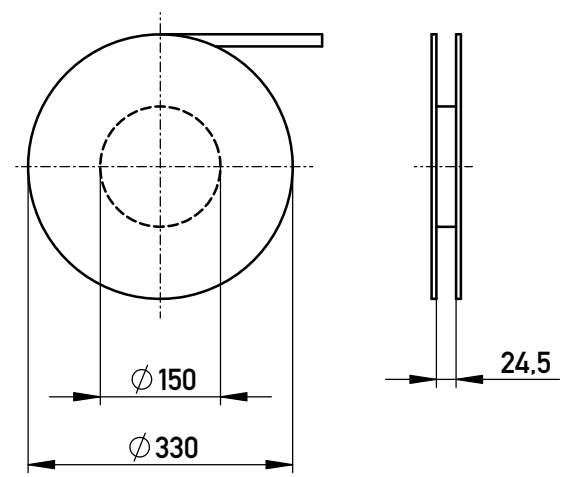
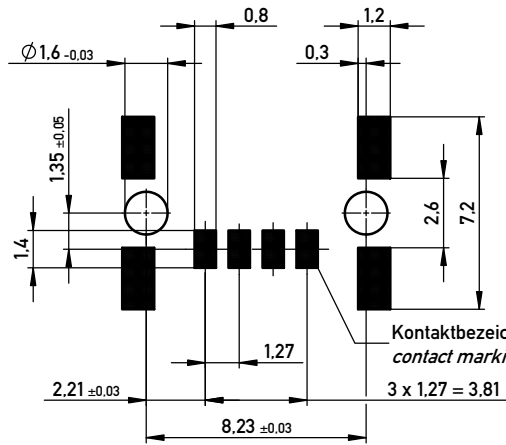


Leiterplatten-Layout Vorschlag für SMT
PCB-Layout Proposal for SMT

Verpackt in Gurtverpackung - Tape on Reel Packaging
Verpackungseinheit: 850 Stück - Packaging unit: 850 pcs



Anforderungsstufe 1
Performance Level 1

Kontaktbereich vergoldet
Mating Area gold plating

Anschlussbereich verzinkt 4-6 µm
Terminal Area 4-6 µm tin plating

Koplanarität der Anschlüsse ≤ 0.1 mm
Coplanarity Area of Termination ≤ 0.1 mm

Copyright by ERNI GmbH
Proprietary notice pursuant to ISO 9006 to be observed.

Information: nur mit Hilfsmittel lösbar only with tool unlockable		Tolerances		Scale	5:1
All rights reserved. Only for Information. To ensure that this is the latest version of this drawing, please contact one of the ERNI companies before using.		All Dimensions in mm		Designation	
Subject to modification without prior notice. Drawing will not be updated.		www.ERNI.com		1.27 SRC P, 4-polig 1.27 SRC P, 4-pin	
a		08.06.2010		364484	
Index		Date		I A3	
Class				SRCP	